



Kits Include

- Industry standard pipe saddles for HDPE and carbon steel pipe manufactured from 6mm and 10mm flat bar formed and galvanised to Australian standards.
- Structural HDG Bolts
- 10mm connection HDG bracket
- HDG SWL rated turnbuckle or threaded Rod
- 6mm thick HDG angle strut with 16mm or 12mm slotted holes
- Engineered rated Skopit Beam Clamp

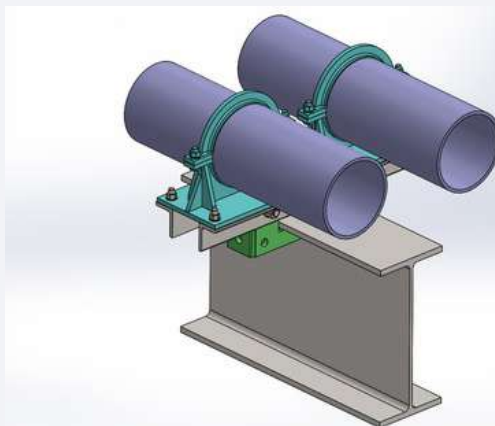
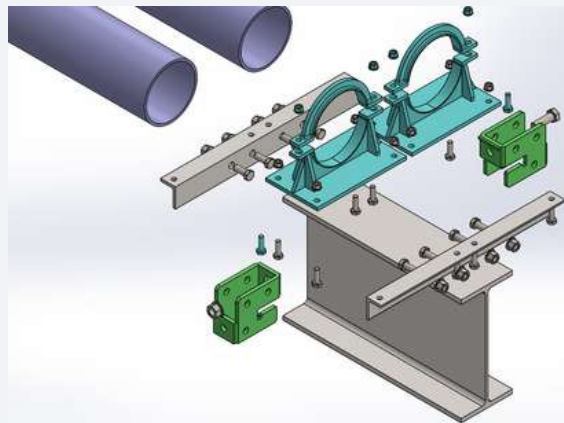
or manufactured and supplied to your specific requirements

Applications

Oil & Gas, Petrochemicals, Water Treatment, HVAC, Construction, Mining, and more!

Full bolt up - No welding

Attach pipe saddles quickly and safely to structure with Skopit Beam Clamp (SWL. 1 Tonne)

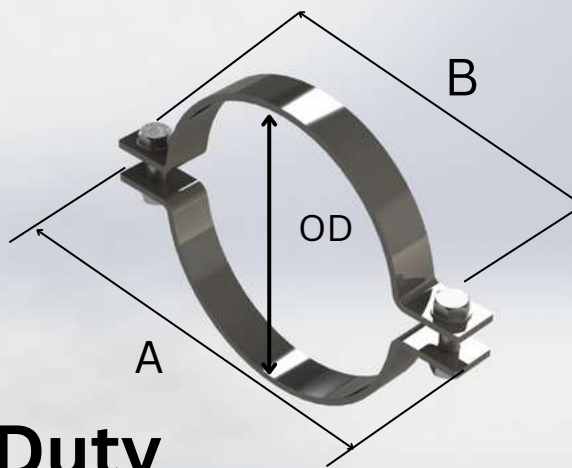


Simply forward pipe specs and requirements for a streamlined installation process

Email;
skopit@bigpond.com



www.skopit.com.au



Medium Duty

Pipe ØD	Ordering Code	A	B	Material (WxT)	Bolt Size
89	SKO-89M	186	144	50 x 6	M16
102	SKO-102M	199	157	50 x 6	M16
114	SKO-114M	211	169	50 x 6	M16
127	SKO-127M	224	182	50 x 6	M16
140	SKO-140M	237	195	50 x 6	M16
152	SKO-152M	249	207	50 x 6	M16
160	SKO-160M	269	221	50 x 6	M16
165	SKO-165M	262	220	50 x 6	M16
178	SKO-178M	275	235	50 x 6	M16
203	SKO-203M	300	258	50 x 6	M16
219	SKO-219M	316	274	50 x 6	M16
225	SKO-225M	335	287	50 x 6	M16
230	SKO-230M	327	285	50 x 6	M16
254	SKO-254M	347	305	50 x 6	M16
273	SKO-273M	412	370	50 x 6	M16
303	SKO-303M	397	355	50 x 6	M16
315	SKO-315M	425	377	50 x 6	M16
324	SKO-324M	463	421	50 x 6	M16
406	SKO-406M	509	462	50 x 6	M16

Heavy Duty

Pipe ØD	Ordering Codes	A	B	Material (WxT)	Bolt size
168	SKO-168H	311	251	75 x 10	M20
219	SKO-219H	362	302	75 x 10	M20
273	SKO-273H	416	356	75 x 10	M20
324	SKO-324H	467	407	75 x 10	M20
406	SKO-406H	587	507	75x12	M24
457	SKO-457H	695	625	75x16	M30
508	SKO-508H	746	666	75x16	M30
610	SKO-610H	849	769	75x16	M30

WLL

- Pipe clamp design complies to AS4100

Design working loads for pipe clamp sizes:

Pipe ØD (mm)	Ordering Code	Pipe Clamp Section Size (mm)	Fastener Size	Working Load Limit (kg)
89 to 406	SKO-89M to SKO-406M	50x6	M16	1550
168 to 324	SKO-168H to SKO-324H	75x10	M20	4080
406	SKO-406H	75x12	M24	6120
457 to 610	SKO-457H to SKO-610H	75x16	M30	6120